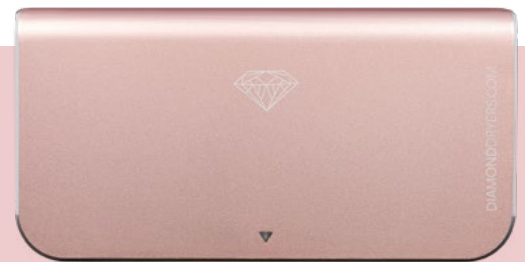
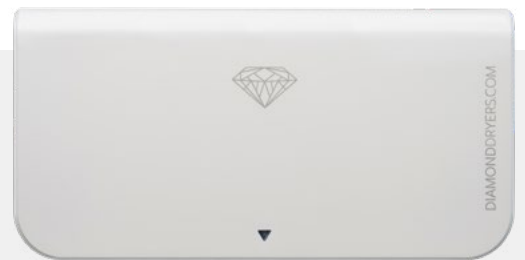




DIAMONDDRYERS

DIAMOND DRYER **PURE**

Air Sterilising Hand Dryer



AIR PURIFYING & STERILIZATION MODE

- HEPA filter
- UV-C Light and Plasma Ion Generator sterilises the air on standby

POWERFUL

- Low energy – high speed
- Fast drying time with a carbon free, digital brushless motor
- High intensity single port nozzle
- Energy efficient with powerful performance

STYLISH

- Stunning design with a high quality aluminum case
- Beautiful colours and a diamond cut edge
- Blue LED to guide users intuitively to the optimum drying zone
- Perfect for washrooms with limited space

TOUGH

- Longest service time with a 7 year warranty
- Suitable for high traffic areas and intensive use
- Minimal maintenance



Graphite



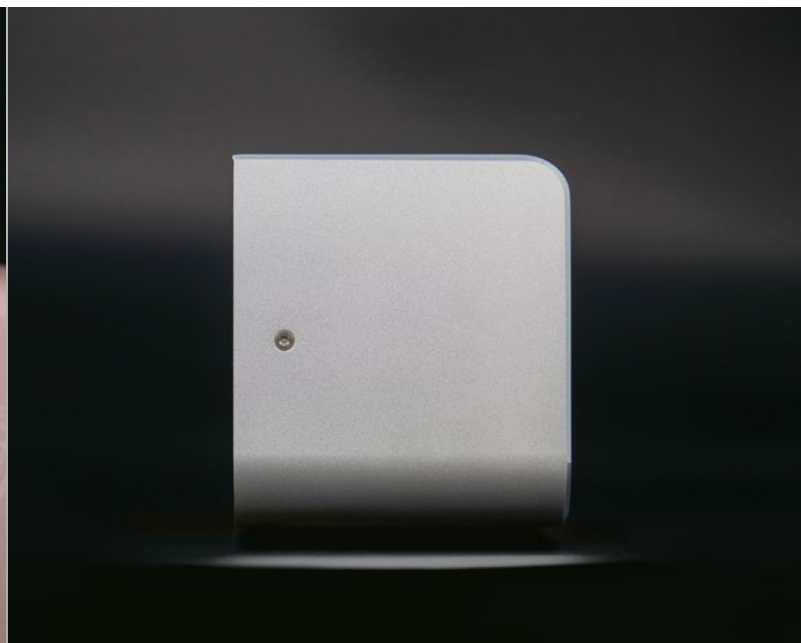
Silver



Rose Gold



White
(Smooth Semi-gloss Finish)



Item Category	Specifications
Voltage & frequency	AC 220~240V, 50Hz / AC 110~120V, 60Hz
Rated power	300W (No heat) / 700W (Heat)
Standby power	≤ 0.5W (Blue Angel Regulation)
Sensor type	Auto infrared touch free operation
Sensor range	45; 10~20mm
Motor type	Brushless DC motor 300 watts lifetime ≥ 5,000h
Motor RPM	30,000 RPM
Air speed	99 m/s (356.4 km/h)
Air volume	85m ³ /h, 50 CFM
Drying time	Under 12sec.
Noise	≤ 84dB(A) at 1 meter
LED light	Blue LED for pointing air blow range Red LED for filter replacement alert
Heater	Yes, switch included on the main board
Power switch	Yes
Filter	HEPA Antibacterial Filter
UV lamp	254nm lamp
Plasma generator	≥ 100,000 PCS/cm @ 1m, DC 12V
Operating cycle	50 sec (The machine shut down automatically after 50 sec)
External material	Aviation aluminium materials Anodizing
Internal material	Heatproof PP fireproof 94VO
Protection device	Auto reset safety overload against 115°C in motor 85°C in board
Anti-theft function	2 allen lock screws and lock with allen wrench
Internal lead wire	Temperature resistant 105°C
Drip Proof	IPX3
Electrical Isolation	Class 1



DIAMONDDRYERS

Unit weight:

2.6 kg

Gross weight:

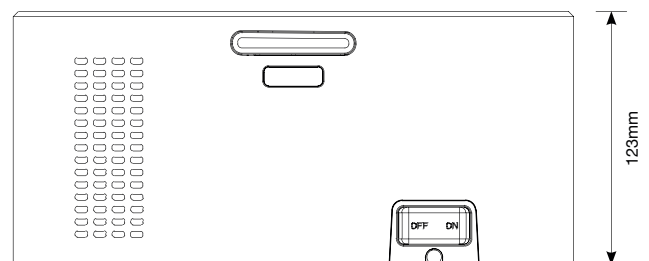
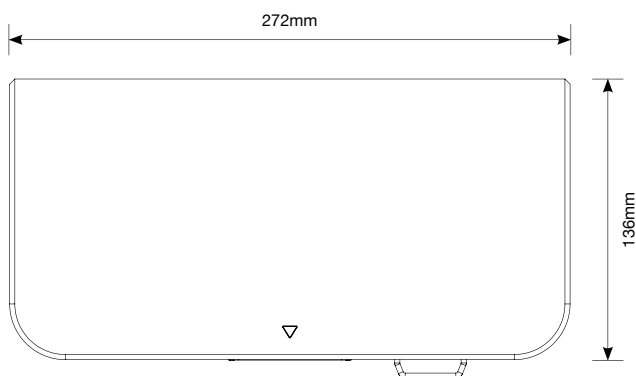
3.2 kg

Unit size (mm):

272x136x123

Box size (mm):

400x190x150



Contact us:

+44 (0) 1823 672970 | hello@diamonddryers.com

Unit 3 Woodlands Business Park, Burscombe, Devon EX16 7LL, UK

DIAMONDDRYERS.COM

